



# ETB06 SERIES

# CLAMPING

E133988(R)

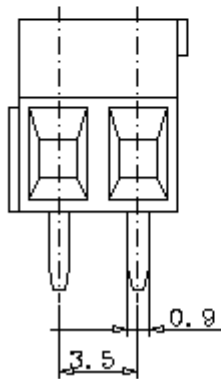
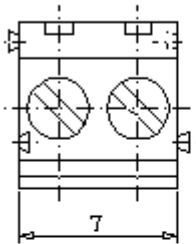


## SPECIFICATIONS

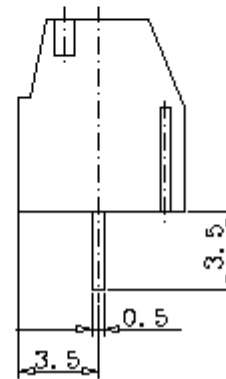
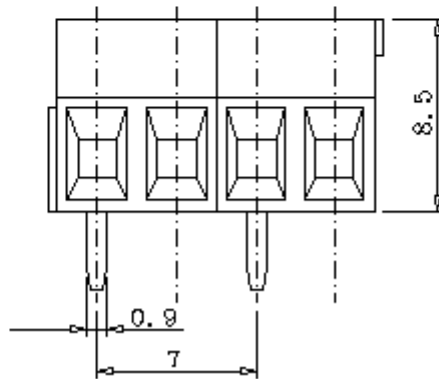
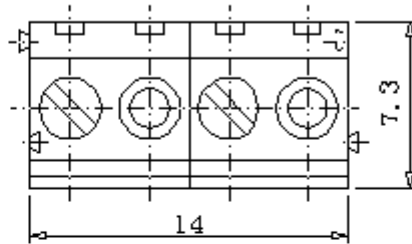
- Pitch 3.5 mm, 7.0 mm.
- Wire range 16 AWG to 26 AWG.
- No. of pole per Block 2 or 3
- Rated 10 Amp, 300 VAC
- Housing Polyamide 66, Blue
- Terminals Tin plated over Brass
- Screws M2.0 x 0.4P, Yellow Chromated
- Wire cage Zinc plated over Steel
- Nickel plated over Zinc Alloy

ETB06 \*\* ETB06 \*\*1  
 Pitch=3.5mm Pitch=7.0mm

ETB06\*\*  
 Pitch=3.5mm



ETB06\*\*1  
 Pitch=7.0mm



mm to inch

\*\*NUMBER OF POLE 02~30

mm	0.5	0.85	0.9	2.5	3	3.5	6.5	7	7.3	8.2	8.5	14			
inch	0.02	0.033	0.035	0.098	0.118	0.138	0.256	0.276	0.287	0.323	0.335	0.551			

# ETB08 SERIES

W1E133988(R) LR100420

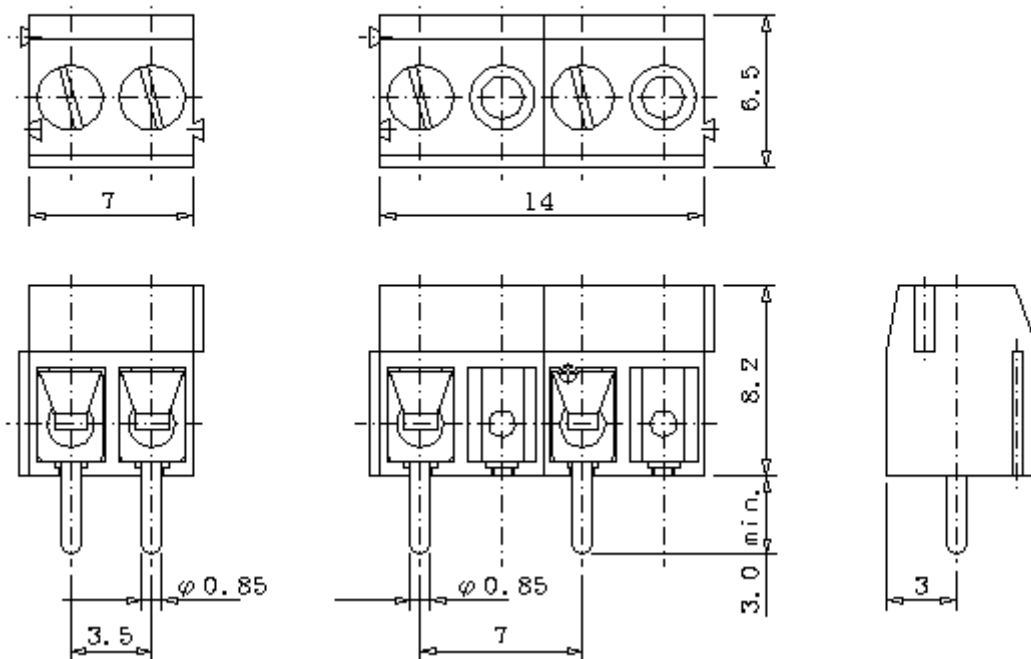


## SPECIFICATIONS

● Pitch	3.5 mm, 7.0 mm	ETB08 **    ETB08 ** 1
● Wire range	18 AWG to 26 AWG	Pitch=3.5mm Pitch=7.0mm
● No. of pole per Block	2 or 3	
● Rated	10Amp,300VAC	
● Housing	Polyamide 66, Blue	
● Terminals	Tin plated over Zinc Alloy	
● Screws	M2.0 x 0.4P, Yellow Chromated	
	Zinc plated over Steel	
● Wire protector	Stainless Steel	

ETB08\*\*  
Pitch=3.5mm

ETB08\*\*1  
Pitch=7.0mm



mm to inch

\*\*NUMBER OF POLE 02~30

mm	0.5	0.85	0.9	2.5	3	3.5	6.5	7	7.3	8.2	8.5	14			
inch	0.02	0.033	0.035	0.098	0.118	0.138	0.256	0.276	0.287	0.323	0.335	0.551			

# ETB09 SERIES

E133988(R)



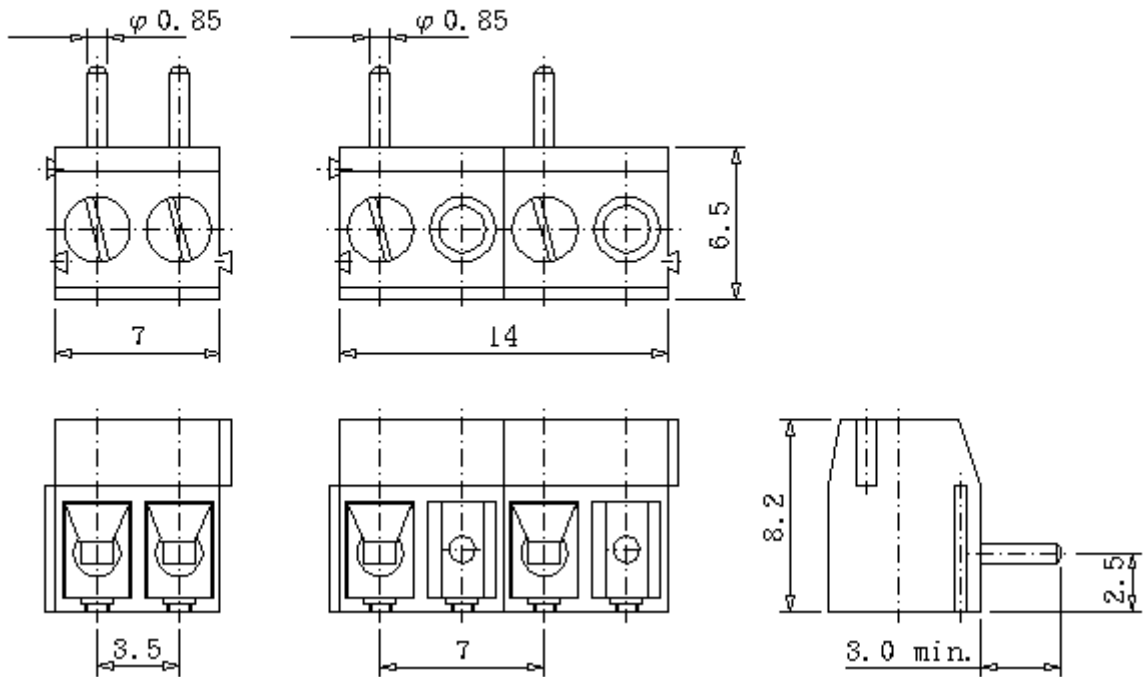
## SPECIFICATIONS

- Pitch 3.5 mm, 7.0 mm
- Wire range 18 AWG to 26 AWG
- No. of pole per Block 2 or 3
- Rated 10 Amp, 300 VAC
- Housing Polyamide 66, Blue
- Terminals Tin plated over Brass
- Screws M2.0 x 0.4P, Yellow Chromated
- Wire protector Zinc plated over Steel
- Wire protector Stainless Steel

ETB09 \*\* ETB09 \*\* 1  
 Pitch=3.5mm Pitch=7.0mm

ETB09\*\*  
 Pitch=3.5mm

ETB09\*\*1  
 Pitch=7.0mm



mm to inch

\*\*NUMBER OF POLE 02~30

mm	0.5	0.85	0.9	2.5	3	3.5	6.5	7	7.3	8.2	8.5	14			
inch	0.02	0.033	0.035	0.098	0.118	0.138	0.256	0.276	0.287	0.323	0.335	0.551			